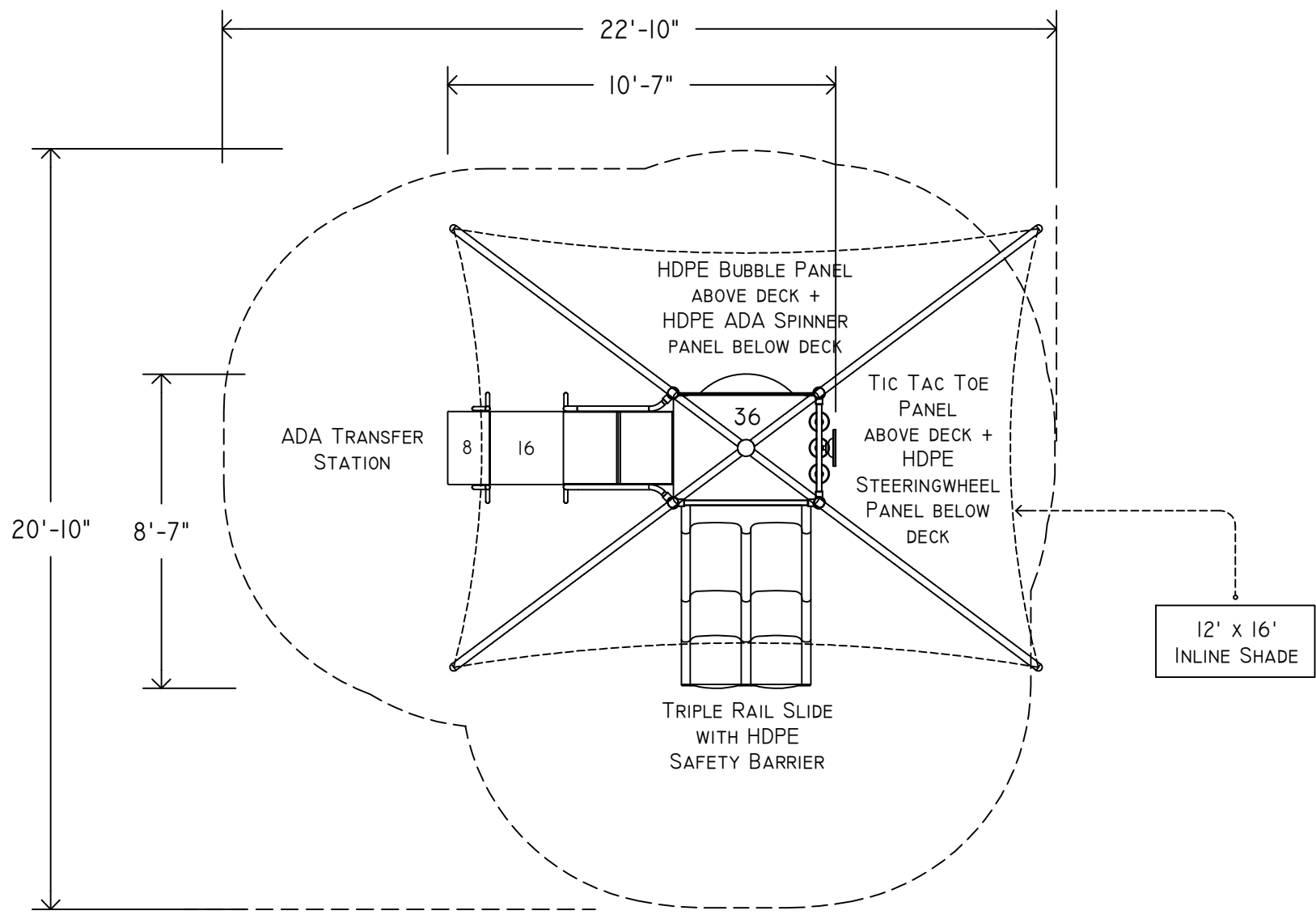


AN ENERGY ABSORBING PROTECTIVE SURFACE MATERIAL IS REQUIRED UNDER AND AROUND THIS PLAY STRUCTURE

FINAL REVISIONS				
ZONE	REV.	DESCRIPTION	DATE:	APPROVED:



# ADVENTURE Playground Systems

## 1ADA-60 PLAY STRUCTURE

### ADA COMPLIANCE

DATE: 05/31/2023

DRAWING BY: RB

STRUCTURE SIZE: 10'7" X 8'7"  
USE ZONE: 22'10" X 20'10"

ELEVATED COMPONENTS: 3  
GROUND LEVEL COMPONENTS: 2  
AGE GROUP: 2 TO 5

MIN FALL HEIGHT: 8"  
MAX FALL HEIGHT: 36"  
APPROX. WEIGHT LIMIT: N/A  
APPROX. SQ FT: 372' SQ.FT.  
APPROX. PERIMETER: 71' LN.FT.

DRAWING NO: A001

REVISION NO: A/000

TO PROMOTE PROPER USAGE BY CHILDREN, A SAFETY SIGN IS RECOMMENDED AT EACH MAIN ENTRY POINT OF THE PLAY STRUCTURE. THIS IS TO INFORM CAREGIVERS THE APPROPRIATE AGE LEVEL AND RULES FOR THIS EQUIPMENT.